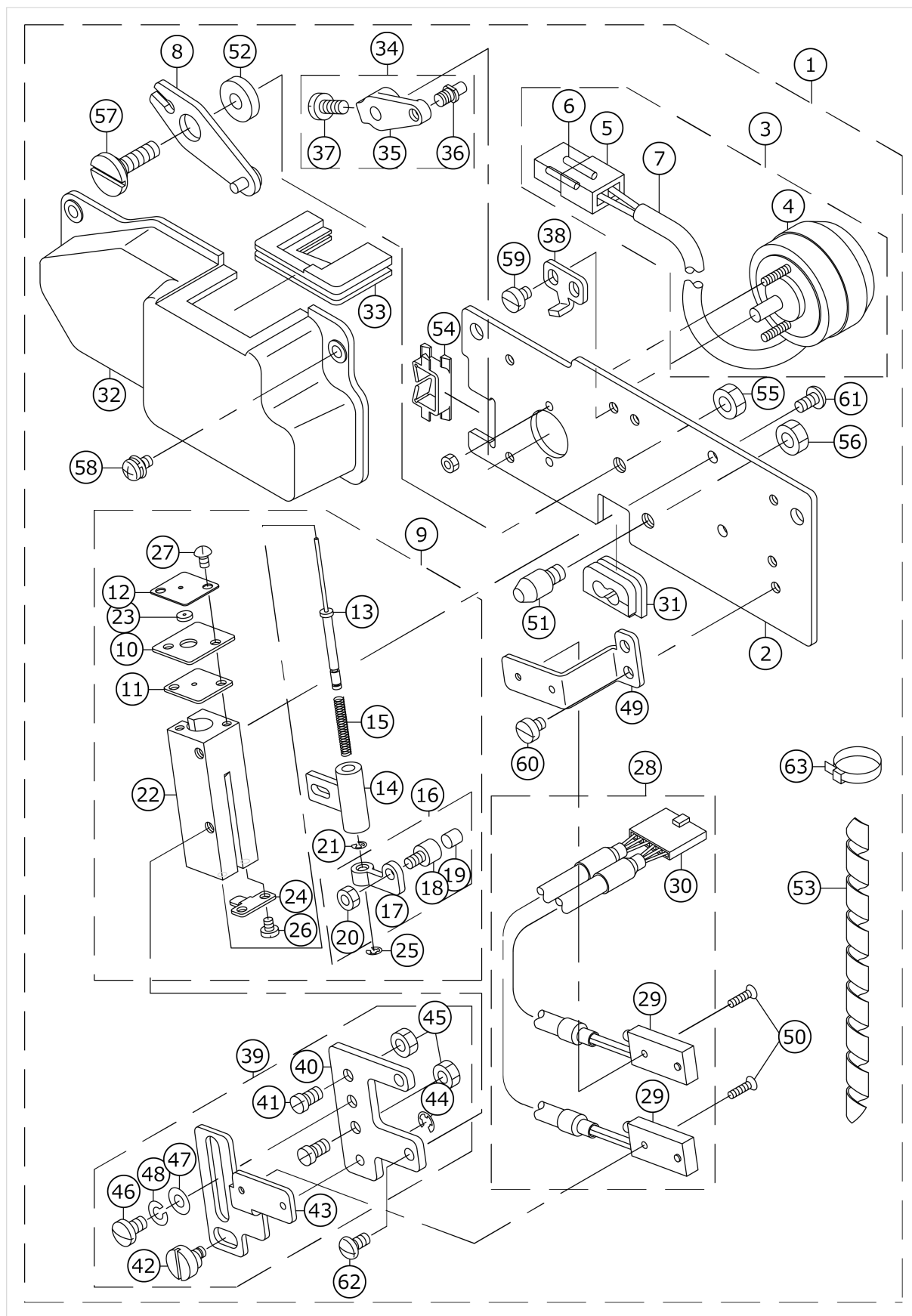


AE-4,-5

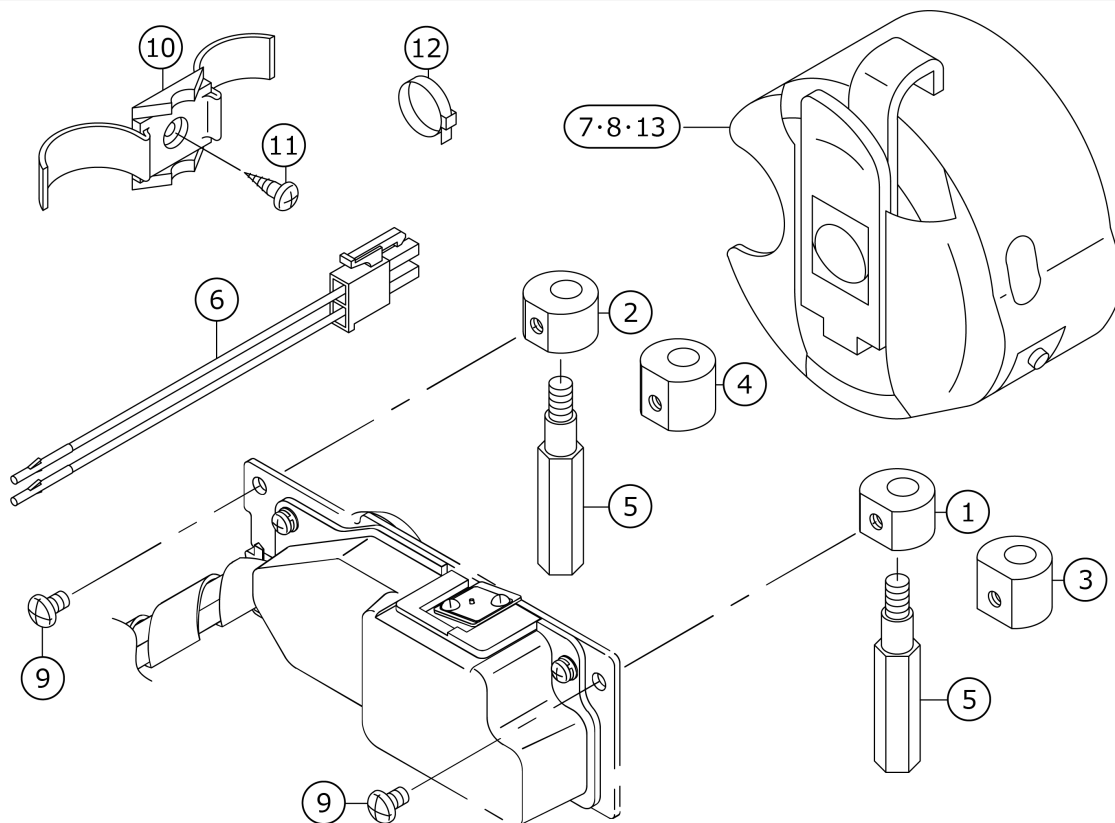
COMPONENTS



No.	品番	品名	備考	子部品	消耗品	個数
1	GAE040100A0	DRIVING EQUIPMENT ASM.				1.00
2	GAE04010000	BASE PLATE		*		1.00
3	GAE040110A0	DRIVING SOLENOID ASM.		*		1.00
4	GAE04011000	ROTALY SOLENOID		*		1.00
5	HK034620020	2P PLUG		*		1.00
6	HK034630000	TERMINAL		*		2.00
7	E8760452H00	TUBE		*		0.80
8	GAE040140A0	DRIVING LINK ASM.		*		1.00
9	GAE040260A0	DETECTING ROD GUIDE ASM.		*		1.00
10	GAE04019000	DETECTING ROD FELT GUIDE		*		1.00
11	GAE04027000	DETECTING ROD GUIDE PLATE		*		1.00
12	GAE04029000	DETECTING ROD COVER		*		1.00
13	GAE03020000	DETECTING ROD		*		1.00
14	GAE03021000	DETECTING ROD HOLDER		*		1.00
15	GAE03022000	DETECTING ROD SPRING		*		1.00
16	GAE030230A0	MAGNET ASM.		*		1.00
17	GAE03023000	MAGNET PLATE		*		1.00
18	GAE03024000	MAGNET BASE		*		1.00
19	MAL01129000	MAGNET		*		1.00
20	NM6030001MZ	NUT M3X0.5		*		1.00
21	GAE03025000	E RING		*		1.00
22	GAE03026000	DETECTING ROD GUIDE		*		1.00
23	GAE03028000	DETECTING ROD FELT		*		1.00
24	GAE03036000	DETECTING ROD STOPPER		*		1.00
25	RE0150000K0	SNAP RING 1.5		*		1.00
26	SS7060310SP	SCREW 3/32-56 L=3		*		2.00
27	SS3060410SP	SCREW 3/32-56 L=4		*		2.00
28	GAE040330B0	SENSOR COMPL.		*		1.00
29	GAE040330A0	SENSOR ASM.		*		2.00
30	HK049210060	HOUSING		*		1.00
31	GAE04037000	SENSOR CORD BUSH		*		1.00
32	GAE04038000	DRIVING EGUIPMENT COVER		*		1.00
33	GAE04039000	RUBBER CUSHION		*		1.00
34	GAE030120A0	SOLENOID ARM ASM.		*		1.00
35	GAE03012000	SOLENOID ARM		*		1.00
36	GAE03013000	SOLENOID ARM PIN		*		1.00
37	SS6090810SP	SCREW 9/64-40 L= 7.5		*		1.00
38	GAE03018000	DRIVING LINK STOPPER A		*		1.00
39	GAE030300A0	SENSOR ADJUSTING PLATE ASM.		*		1.00
40	GAE03030000	SENSOR ADJUSTING PLATE		*		1.00
41	GAE03031000	SLIDE PIN		*		2.00
42	GAE03032000	ECCENTRIC PIN		*		1.00
43	GAE03034000	SENSOR INSTALLING PLATE A		*		1.00
44	RE0200000K0	E-RING		*		1.00
45	NS6090310SP	NUT 9/64-40		*		2.00
46	SS7090610SP	SCREW 9/64-40 L=6		*		1.00
47	WP0370316SD	WASHER 3.7X8X0.3		*		1.00
48	WS0410002KP	SPRING WASHER		*		1.00
49	GAE03035000	SENSOR INSTALLING PLATE B		*		1.00
50	10621803	MOUNTING SCREW		*		2.00

51	B1157781000	GUIDE PIN		*		1.00
52	MAO91003000	BSW PRESSER PLATE WASHER		*		1.00
53	HX001890000	SPIRAL TUBE		*		0.10
54	HX00285000A	CORD HOLDER		*		1.00
55	NS6110420SP	NUT 11/64-40		*		1.00
56	NS6110420SP	NUT 11/64-40		*		1.00
57	SD0790204SP	HINGE SCREW D= 7.94 H= 2		*		1.00
58	SL4030681SC	SCREW M3 L=6		*		3.00
59	SS6080410SP	SCREW 1/8-44 L=4		*		2.00
60	SS6080410SP	SCREW 1/8-44 L=4		*		2.00
61	SS4080610SP	SCREW 1/8-44 L=6.4		*		2.00
62	SS4080610SP	SCREW 1/8-44 L=6.4		*		2.00
63	EA9500B0100	CABLE BAND		*		1.00

ACCESSORIES



No.	品番	品名	備考	子部品	消耗品	個数
1	GAE03040000	BASE PLATE	FOR AE-4			1.00
2	GAE03041000	STATOR B LEFT	FOR AE-4			1.00
3	GAE0304000A	STATOR A RIGHT	FOR AE-5			1.00
4	GAE0304100A	STATOR B LEFT	FOR AE-5			1.00
5	GAE03042000	BED SCREW STUD				2.00
6	GAE040430A0	SOLENOID CORD ASM.				1.00
7	GAE030450A0	BOBBIN CASE	FOR AE-4			1.00
8	GAE030460A0	BOBBIN CASE	FOR AE-5			1.00
9	SS4110715SP	SCREW 11/64-40 L=7				2.00
10	HX002450000	CABLE CLAMP				1.00
11	SK3381601SC	WOOD SCREW D=3.8 L=16				1.00
12	EA9500B0100	CABLE BAND				1.00
13	GAE030800A0	BOBBIN CASE	SPECIAL ORDER PART			1.00

HOW TO MAKE USE OF THIS PARTS LIST

1.As to "#01" and "#02" refer to the "Note" given at the bottom of the respective pages.

2.Codes on the "Qty" column

- Each numeral indicates the number of parts required.
- "0.1" and "2.5" indicate the length (in meters) of the respective parts.

3.Parentheses mean that the corresponding part is a subpart that constructs an assembly part.

4.Dotted lines on the Figures indicate assembly parts.

1. リストページの# 0 1、# 0 2の印は、ページ下の"注記"の説明を参照下さい。
2. 数量欄の数字は、個数を表し、0. 1、2. 5等の数値は、長さ（単位メートル）を表します。
3. 数量欄の（ ）は、組部品を構成している子部品であることを意味します。
4. イラストページの-----枠は、組構成であることを意味します。